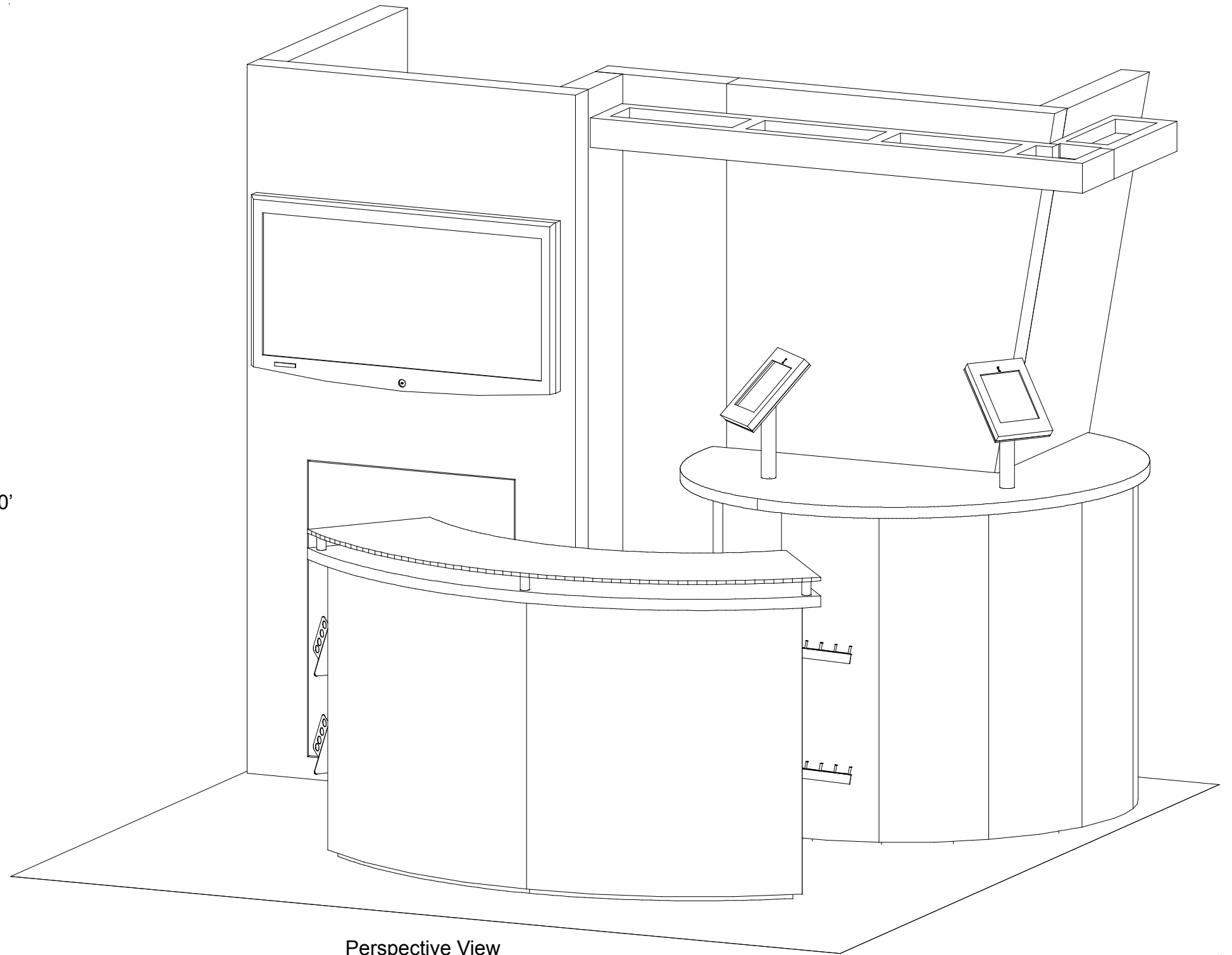


Plan View

10'

10'



Perspective View

WHEN DISASSEMBLING ALUMINUM EXTRUSION, TIGHTEN ALL SETSCREWS AND LOCKS TO PREVENT LOSS DURING SHIPPING



visionary™ DESIGNS

Using Your Setup Instructions

The Visionary Designs Setup Instructions are created specifically for your configuration. They are laid out sequentially, including an exploded view of the entire display, and then a logical series of detailed steps to assemble the main structure and components. We encourage you to study the instructions **before** attempting to assemble your exhibit.

Each page reminds you to tighten the setscrews after disassembling your exhibit to prevent loss of the locks and setscrews (see below in RED). This is **VERY IMPORTANT**.

Cleaning and Packing Your Display

- 1) Use care when cleaning aluminum extrusion or acrylic inserts. Use only non-abrasive cleaners.
- 2) When cleaning laminate inserts or countertops, use mild cleansers and a soft material such as cotton.
- 3) Keep all display components away from extreme heat and long exposure to sunlight to avoid warping and fading.
- 4) Retain all packing material. It will make re-packing much easier and will reduce the likelihood of shipping damage.



The Tool

Most Visionary Designs exhibits can be assembled with the supplied Hex Key Tool. Occasionally, a flat head screwdriver may be required.

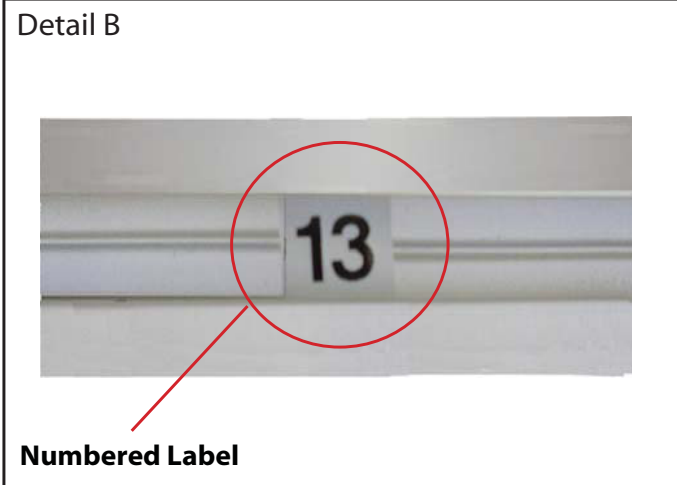


Typical Connection

Most horizontal extrusion connections have a patented expandable lock. This lock inserts into the groove of an opposing extrusion. Tightening the lock with the Hex Key Tool expands the lock and creates a strong positive connection.



Typical Connection (cont'd)



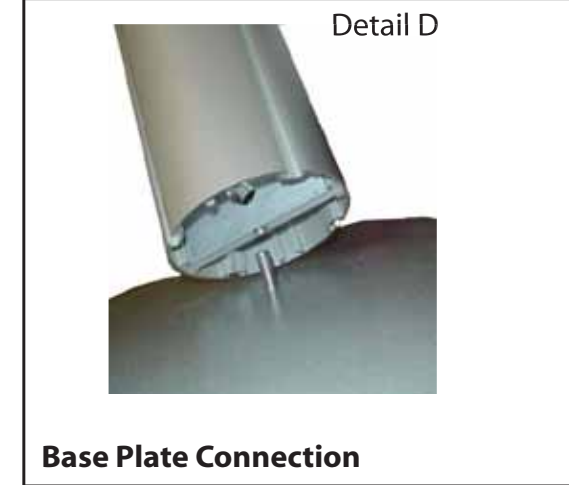
Numbered Label

Each extrusion contains a numbered label which corresponds with setup instructions. The label is located within a groove of the extrusion (when possible). With Visionary Designs the labels contain Black numbers unless otherwise specified.



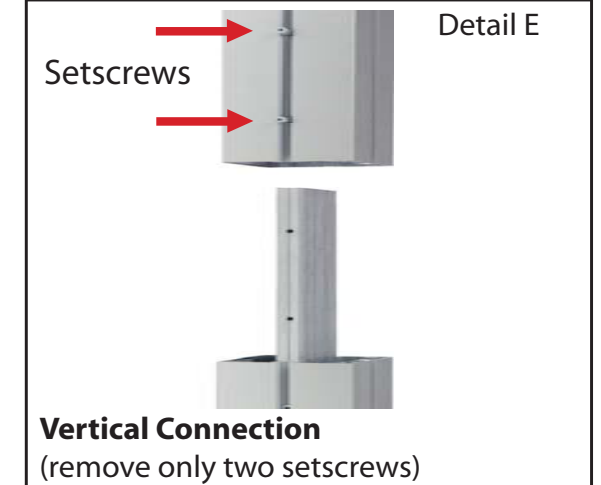
Horizontal Inline Connection (remove only one setscrew)

Remove only (1) setscrew when disassembling. Replace setscrew in extrusion after assembling it. Before packing, replace setscrew in extrusion to avoid losing it.



Base Plate Connection

Attach base plate to round or square vertical extrusion using the bolt provided. Be careful not to strip the threads.



Vertical Connection
(remove only two setscrews)

When vertical extrusions are packed in portable cases rather than crates or tubs, they must be broken down into smaller sections which then require assembly.

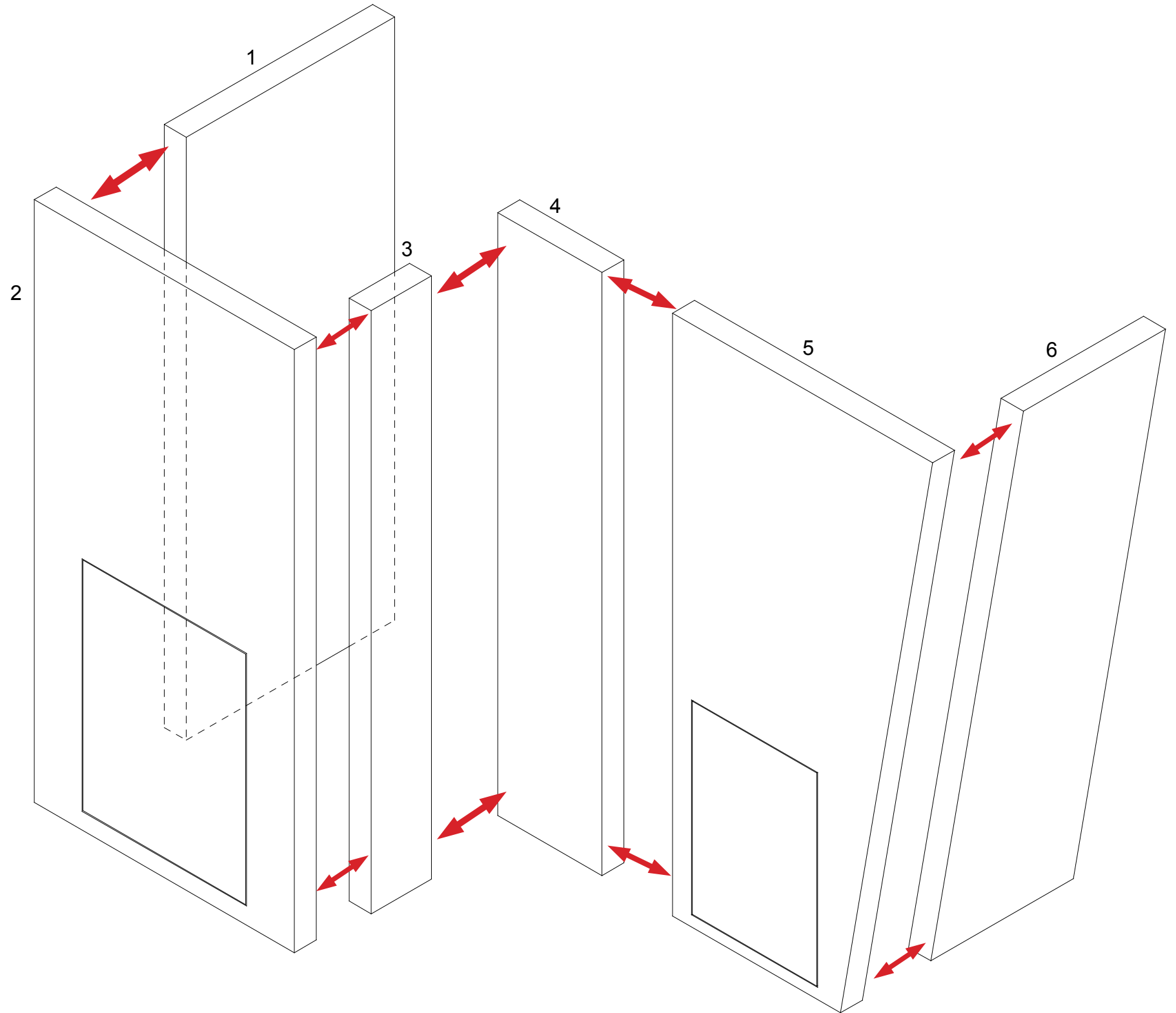
Remove only (2) setscrews when disassembling. Replace setscrews in extrusion after assembling it. Before packing, replace setscrews in extrusion to avoid losing them.

WHEN DISASSEMBLING ALUMINUM EXTRUSION, TIGHTEN ALL SETSCREWS AND LOCKS TO PREVENT LOSS DURING SHIPPING

866.652.2100

Item	Qty.	Description
1	1	38" w x 95.5" h Wood Build Wall
2	1	47.5" w x 95.5" h Wood Build Wall w/ Monitor Mount
3	1	11" w x 95.5" h Wood Build Wall
4	1	19" w x 95.5" h Wood Build Wall
5	1	47.5058" w x 95.5" h Wood Build Wall w/ Cabinet Door
6	1	26" w x 95.4998" h Wood Build Angled Wall

Steps:
 1) Connect wall panels in numerical order.
 See [Custom Cam Lock Attachment](#) detail.



*** Custom Cam Lock Attachment**



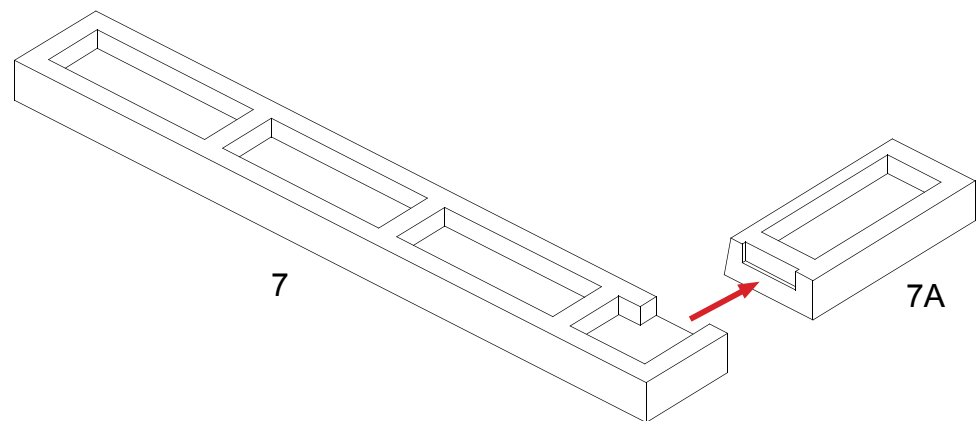
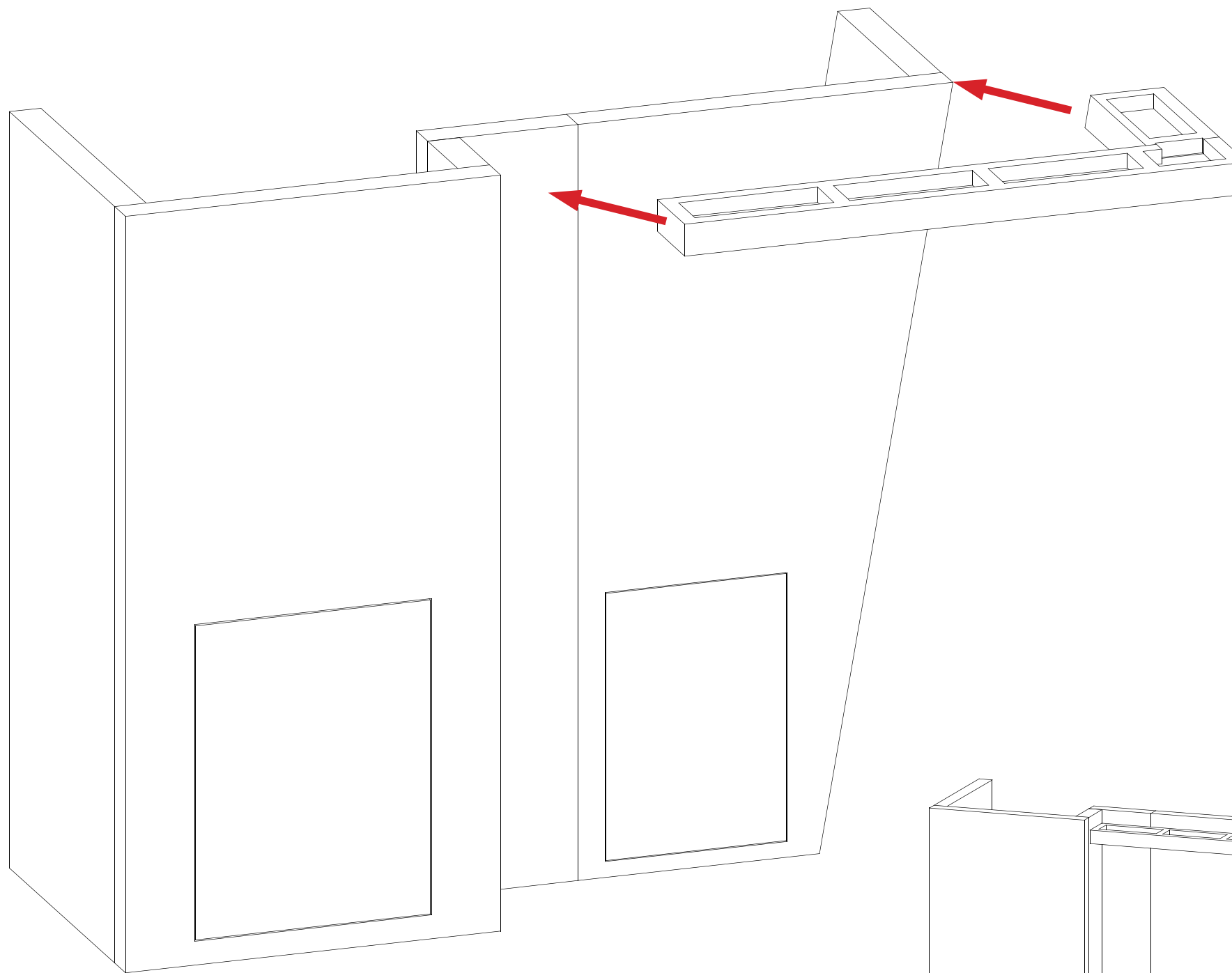
Place hex tool in hole on side of panel and rotate to activate lock and attach panels together.

WHEN DISASSEMBLING ALUMINUM EXTRUSION, TIGHTEN ALL SETSCREWS AND LOCKS TO PREVENT LOSS DURING SHIPPING

866.652.2100

Item	Qty.	Description
7	1	Large Ceiling Box w/ Lighting
7A	1	Small Ceiling Box w/ Lighting

- Steps:
- 1) Connect ceiling boxes [7] & [7A] together.
See Ceiling Assembly detail.
 - 2) Attach assembled ceiling to assembled backwall.

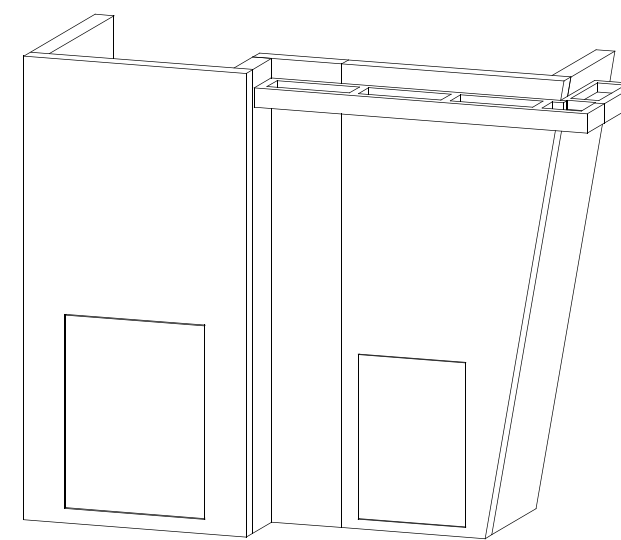


Ceiling Assembly

Connecting Canopy Pieces Together

Bolts

Connect 3 piece Canopy together by using bolts and wing nuts provided.



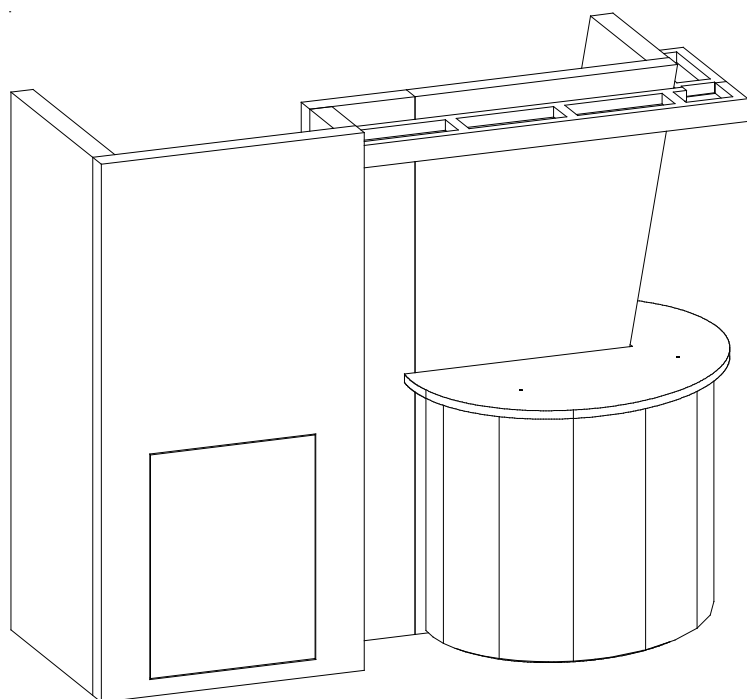
When assembled

WHEN DISASSEMBLING ALUMINUM EXTRUSION, TIGHTEN ALL SETSCREWS AND LOCKS TO PREVENT LOSS DURING SHIPPING

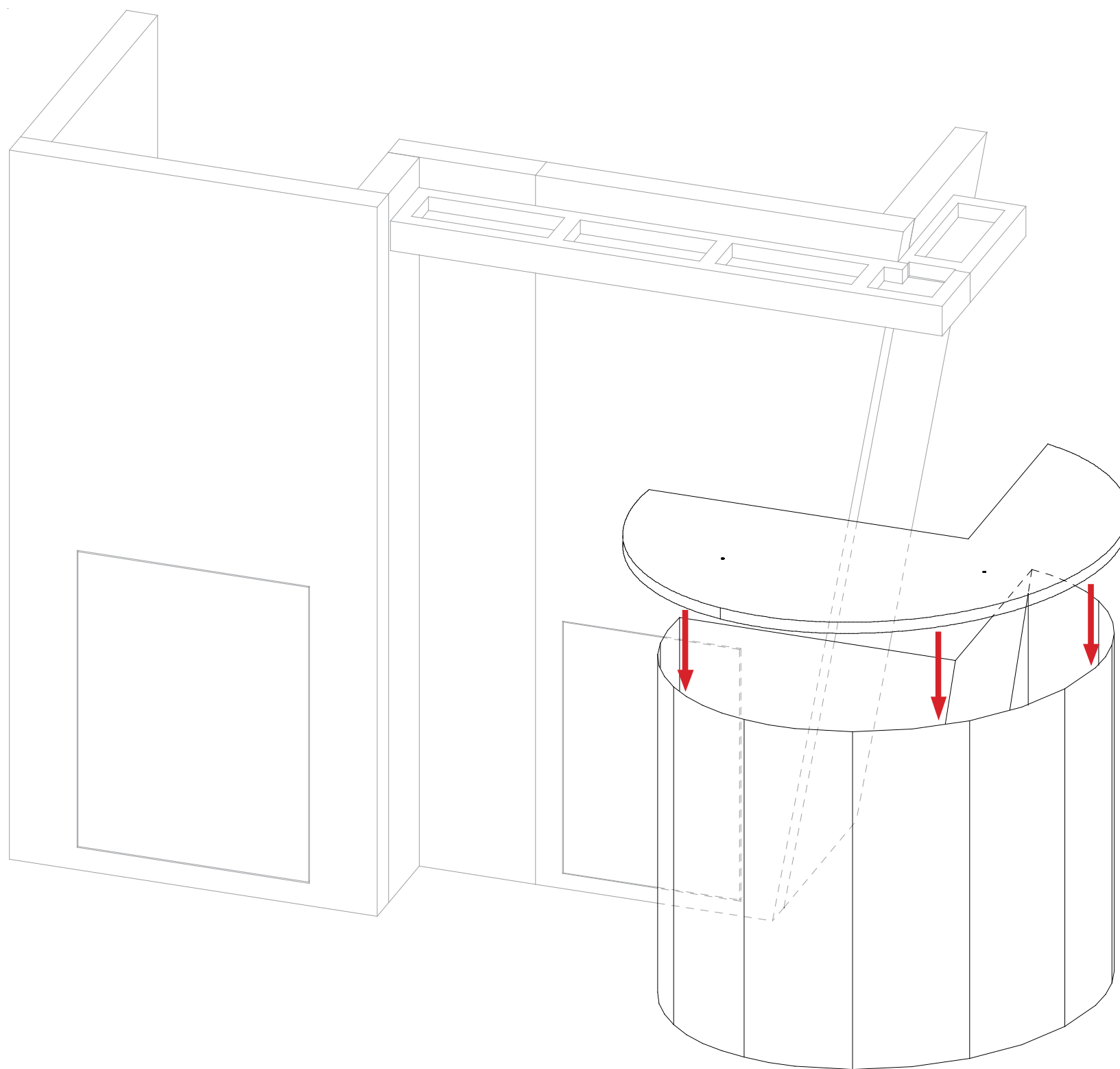
866.652.2100

Steps:

- 1) Connect Backwall Counter to backwall.
- 2) Place Counter top on backwall counter.



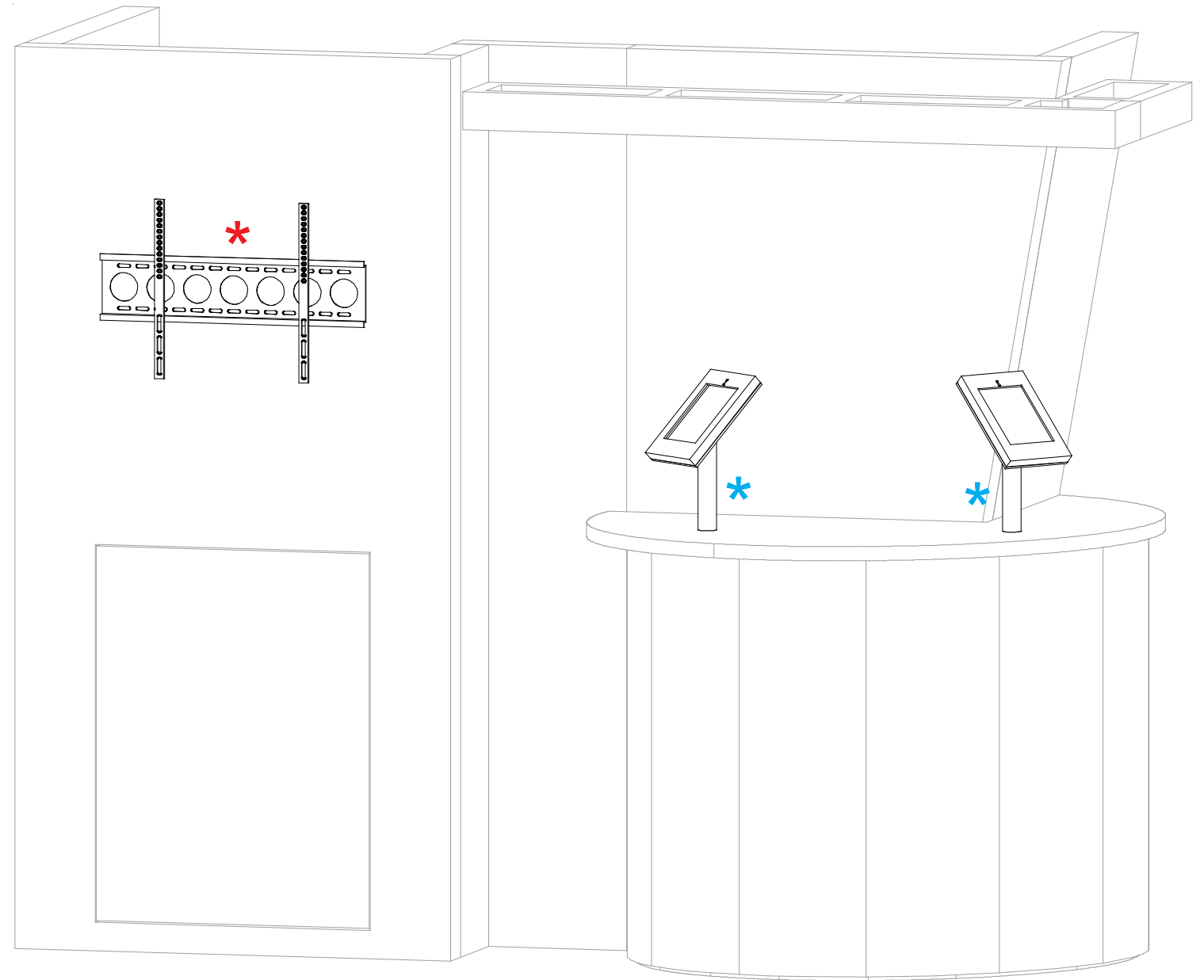
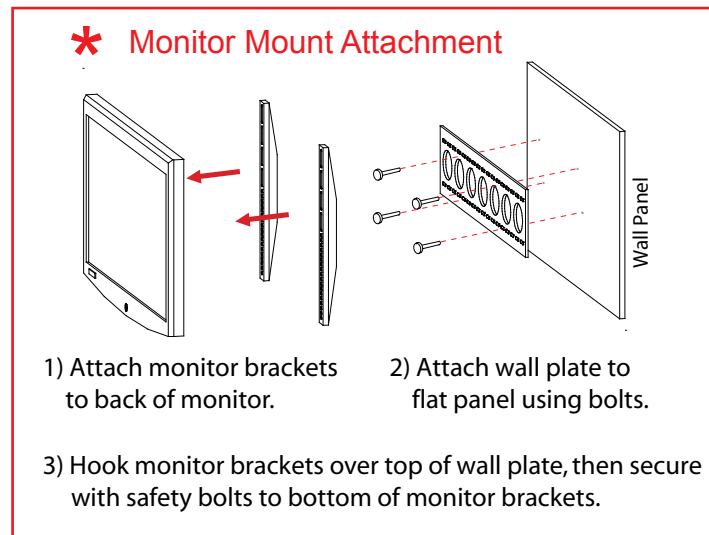
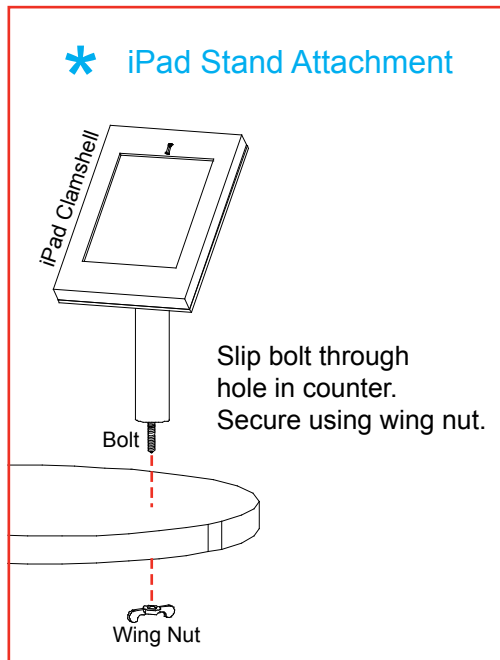
When assembled



WHEN DISASSEMBLING ALUMINUM EXTRUSION, TIGHTEN ALL SETSCREWS AND LOCKS TO PREVENT LOSS DURING SHIPPING

Steps:

- 1) Connect Monitor Mount to wall panel
See [Monitor Mount Attachment](#) detail.
- 2) Assemble iPad Stands; attach to backwall counter.
See [iPad Stand Attachment](#) detail.



WHEN DISASSEMBLING ALUMINUM EXTRUSION, TIGHTEN ALL SETSCREWS AND LOCKS TO PREVENT LOSS DURING SHIPPING

866.652.2100

Steps:

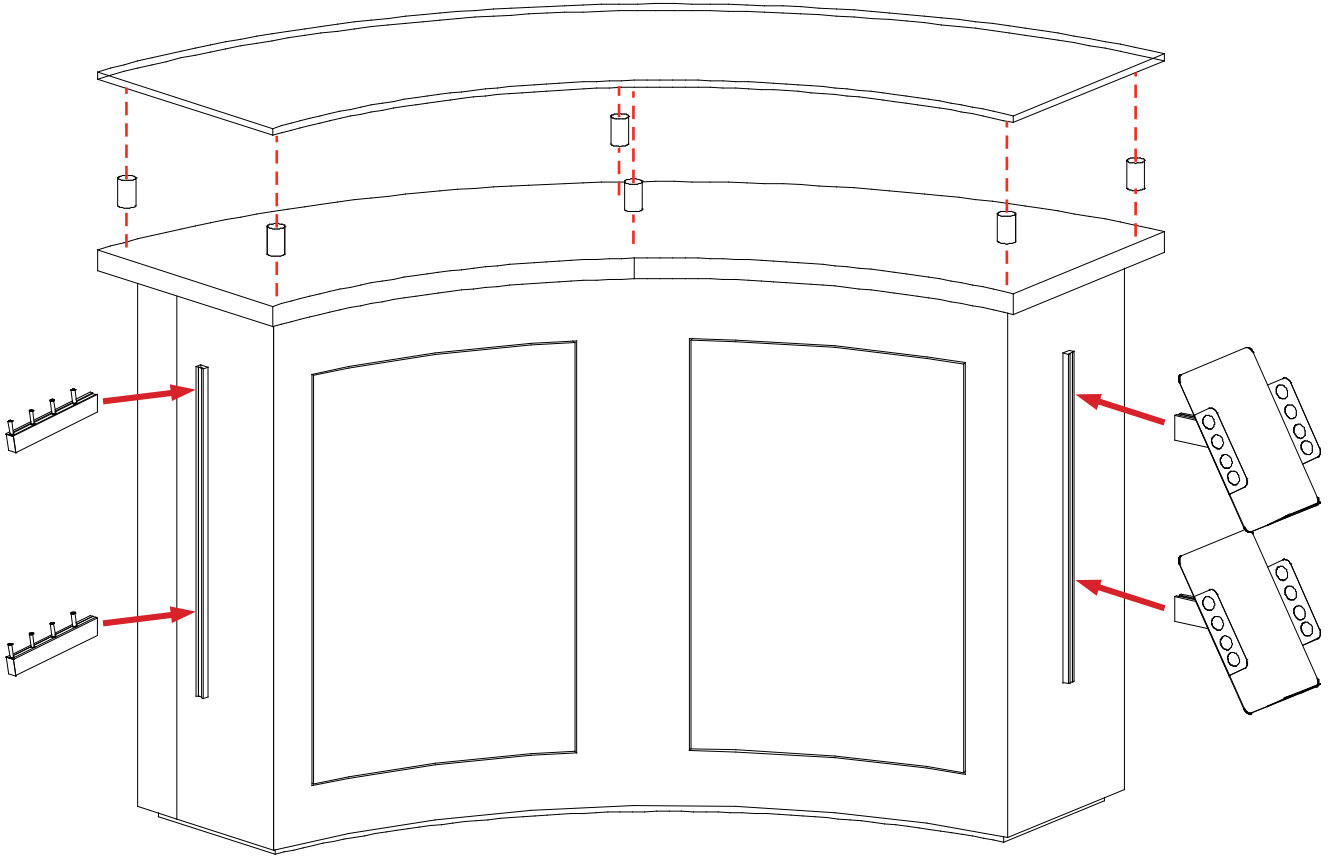
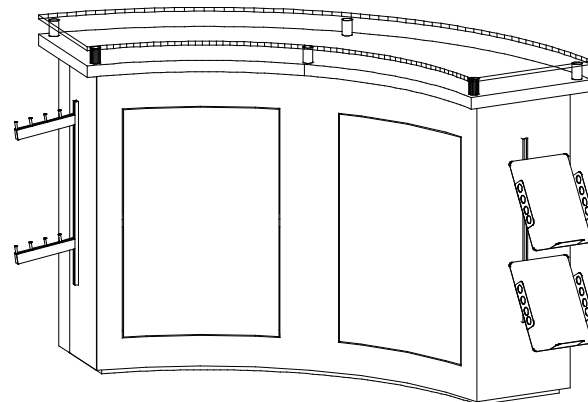
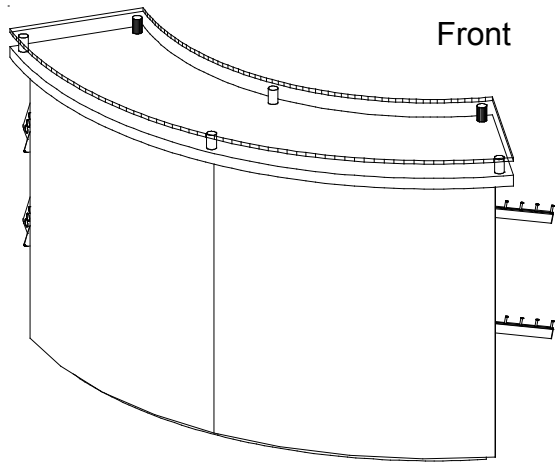
- 1) Assemble Literature Racks; connect to side of reception counter.
See [Literature Rack Attachment](#) detail.
- 2) Connect Waterfall Hanger to side of reception counter.
See [Waterfall Hanger Attachment](#) detail.
- 3) Attach plex counter to top of assembled reception counter using stand-off barrels.
See [Plex Counter Top w/ Standoff Attachment](#) detail.

*** Plex Counter Top w/ Standoff Attachment**

Twist standoff barrel to threaded hole on top side of counter to secure standoff barrel in place.

Place plex counter top onto screws.

Counter will rest on screws.



Waterfall Hanger Attachment

Tighten Lock to Secure

Attach waterfall hanger to vertical extrusion; tighten cam lock to secure in place.

Literature Rack Attachment

Tighten Lock to Secure

Attach connector piece to rack as shown. Connect assembled literature rack to vertical extrusion.

WHEN DISASSEMBLING ALUMINUM EXTRUSION, TIGHTEN ALL SETSCREWS AND LOCKS TO PREVENT LOSS DURING SHIPPING